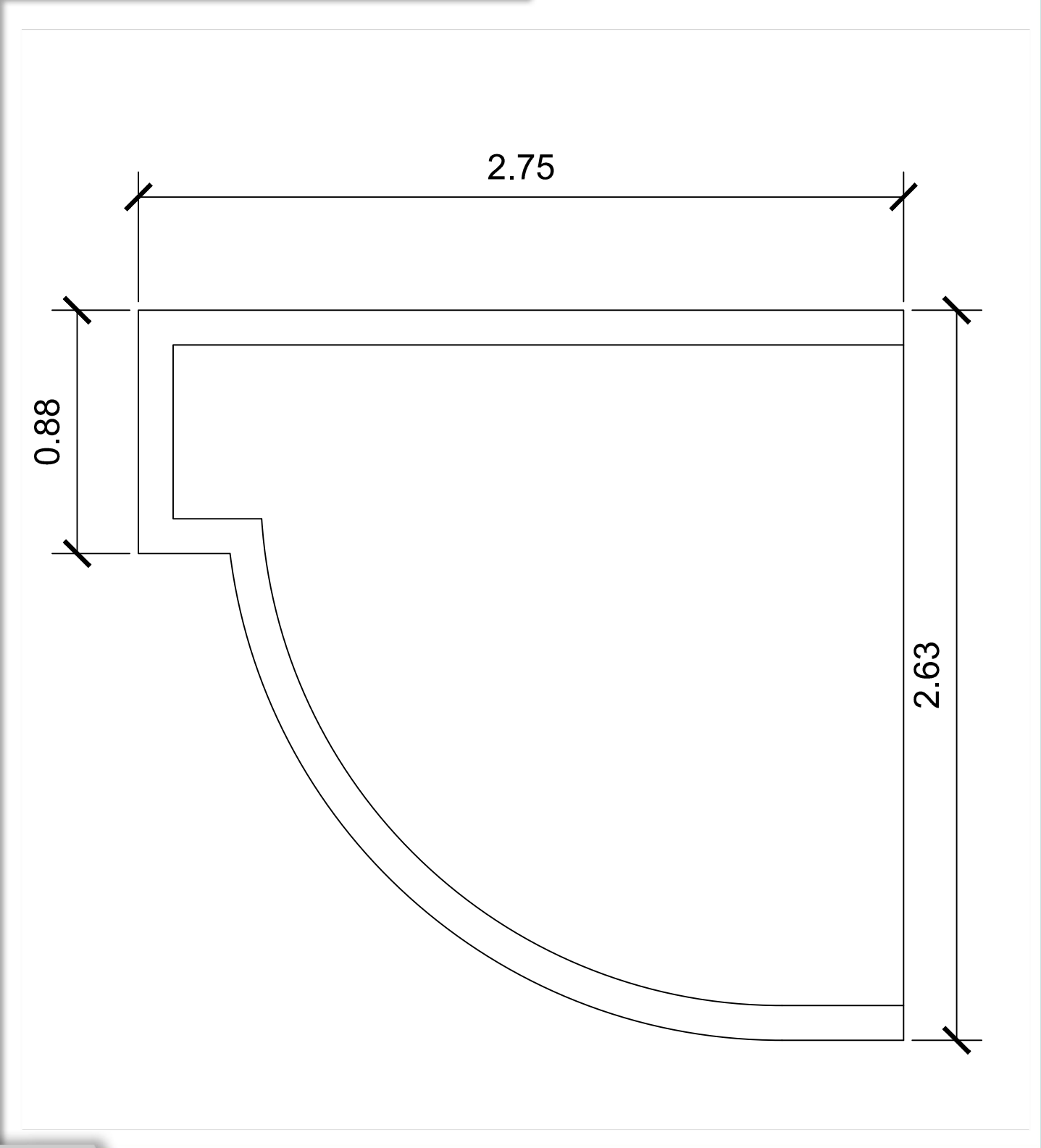


PROFILE: ME-SB101



WWW.FOAMCOREMOULDINGS.COM

SCALE
2"=1"

ACCEPTED SIGNATURE: _____ DATE: ____ - ____ - ____