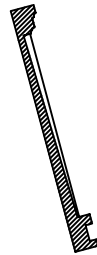
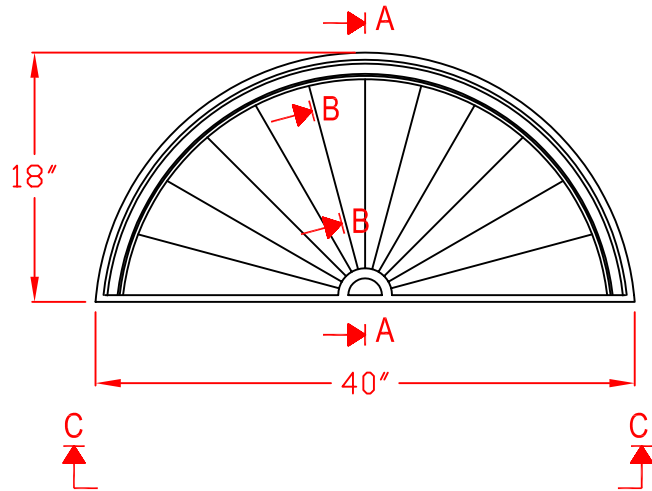
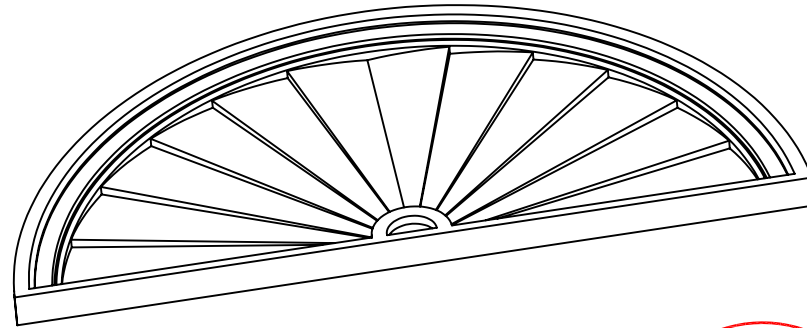
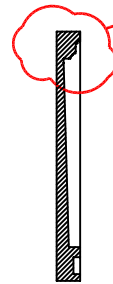


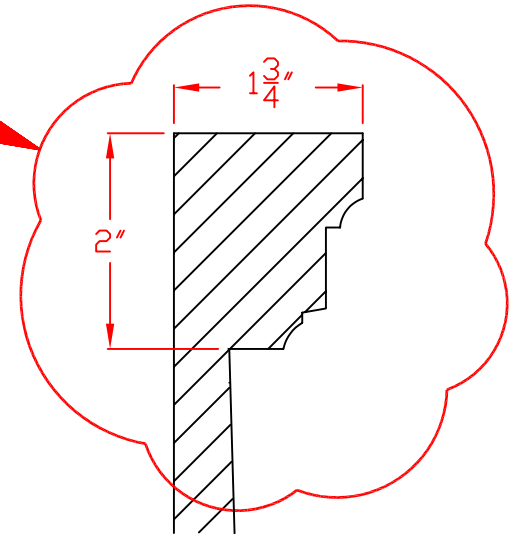
VIEW: C-C



SEC: B-B



SEC: A-A



PROPERTY OF  
**CHEMCREST INC.**

55 Bradwick Drive,  
Concord, Ontario  
L4K 1K5  
www.chemcrest.com  
orders@chemcrest.com

Phone: 1-800-665-6653

Fax: 1-888-715-1813

Design Copyright © Chemcrest Inc. 2011 All rights reserved

Date: August 16,2004

Revised Date: August 29,2011

Drawn By: MS

NON VISUAL AND BACKSIDE AREAS OF PRODUCT MAY  
BE SUBJECT TO MODIFICATION BY CHEMCREST INC.

**CUSTOMER APPROVAL**

CUSTOM MADE PARTS  
ONCE A DRAWING IS SIGNED OFF AND PRODUCT IS  
MADE CUSTOMER CAN NOT RETURN PRODUCT TO  
CHEMCREST INC.

Part #:

(Quote part number when re-ordering)

**S400**

Part: **Half Round Sunburst**

Dimensions: Width: 40" Height: 18" Projection: 1 3/4"

Tolerance: +/- 1/4"

Material: Polyurethane

Scale: Not to scale

Texture: Smooth