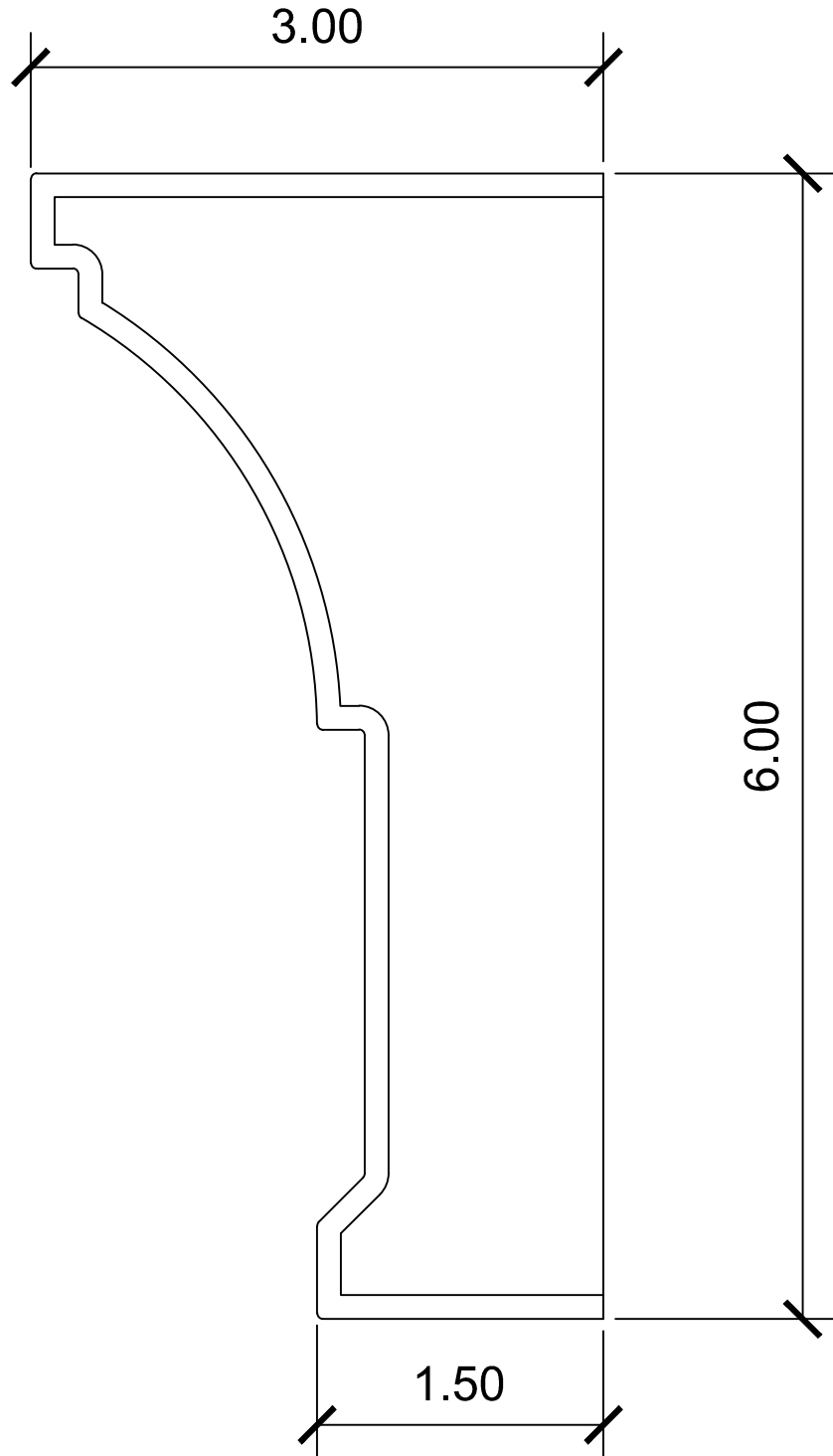


PROFILE: ME-IN035



WWW.FOAMCOREMOULDINGS.COM

SCALE
1"=1"

ACCEPTED SIGNATURE: _____ DATE: ____ - ____ - ____